

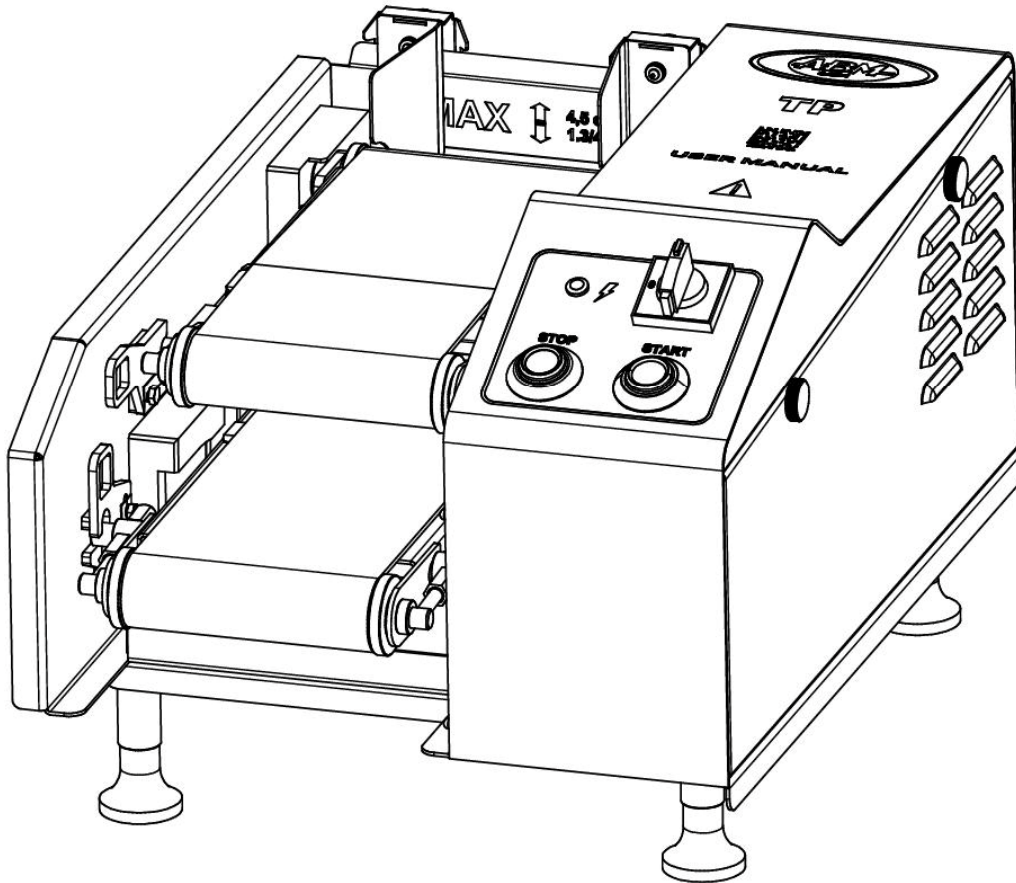


TP12 – TP30

FILETEADORA DE PECHUGAS DE POLLO Y DE PAVO
HORIZONTAL TABLE TOP MEAT SLICER

RELEASE 2024-06-18

Sheet: 1 / 19



TP12 - TP30

115V - 60Hz

MEAT AND CHICKEN FILLET SLICER - HORIZONTAL

FILETEADORA DE PECHUGAS DE POLLO Y DE PAVO

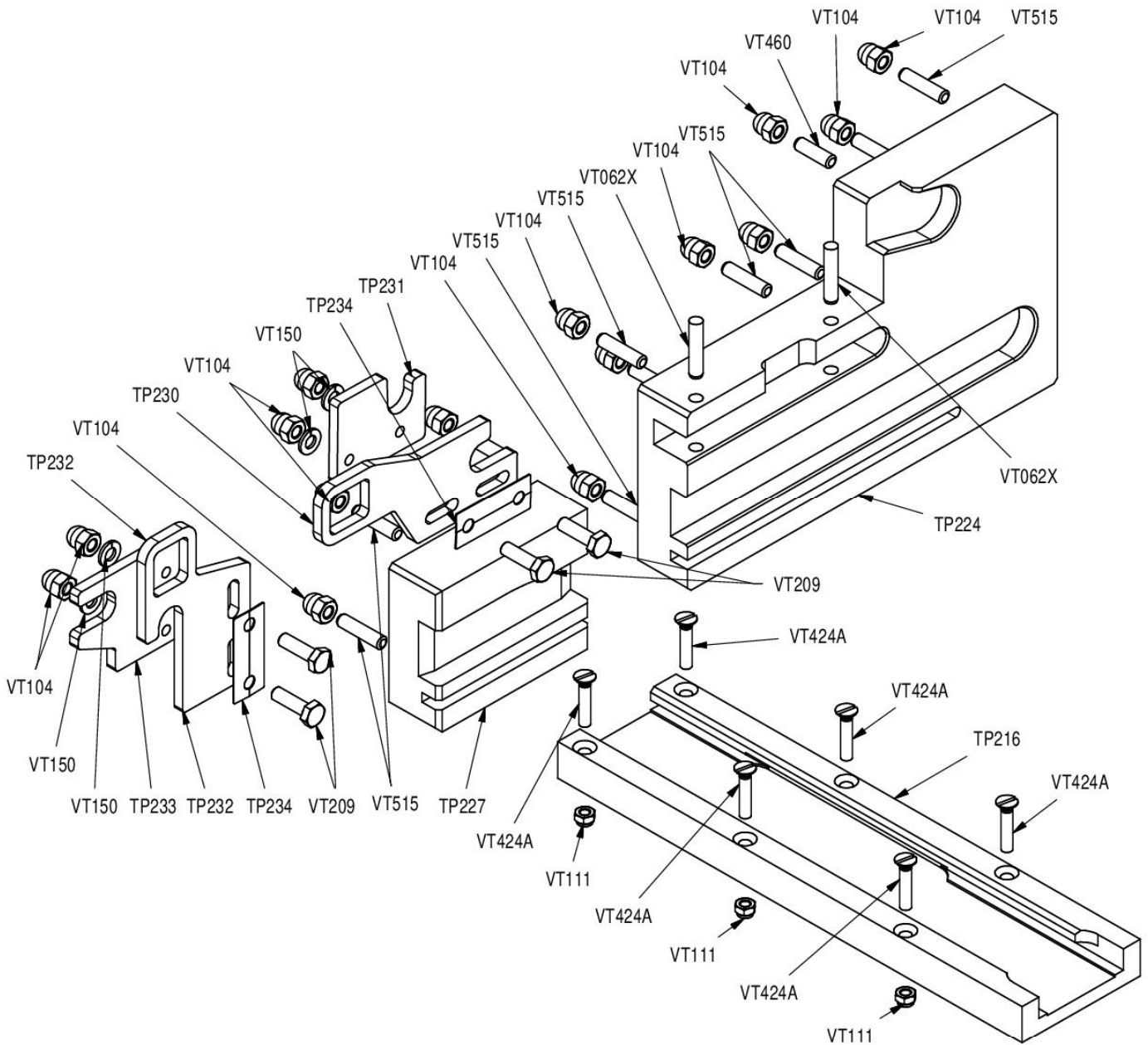


TP12 – TP30

FILETEADORA DE PECHUGAS DE POLLO Y DE PAVO
HORIZONTAL TABLE TOP MEAT SLICER

RELEASE 2024-06-18

Sheet: 2 / 19



0100 - LEFT SIDE		
CODE	DESCRIPTION	Q.TY
TP216	CUTTING GRID SET GUIDE	1
TP224	LEFT GUIDE SUPPORT	1
TP227	INITIAL LEFT GUIDE	1
TP230	UPPER LOCK	1
TP231	UPPER LOCK PLATE	1
TP232	LOWER LOCK	1
TP233	LOWER LOCK PLATE	1
TP234	LEAF SPRING	2
VT062X	SS PARALLEL PIN 6x30 UNI 1707	2
VT104	SS LOCKING NUT M6 UNI 5721	16
VT111	SS NILOK NUT M5	6
VT150	SPLIT LOCK WASHER Ø6 SS	4
VT209	SS SCREW TE M6x20 UNI 5739	4
VT424A	SLOTTED FLAT COUNTERSUNK HEAD M5x25 SS	6
VT460	HEX SOCKET SET SCREW FLAT POINT M6-1.0x20 SS	1
VT515	HEX SOCKET SET SCREW FLAT POINT M6-1x25 SS	11

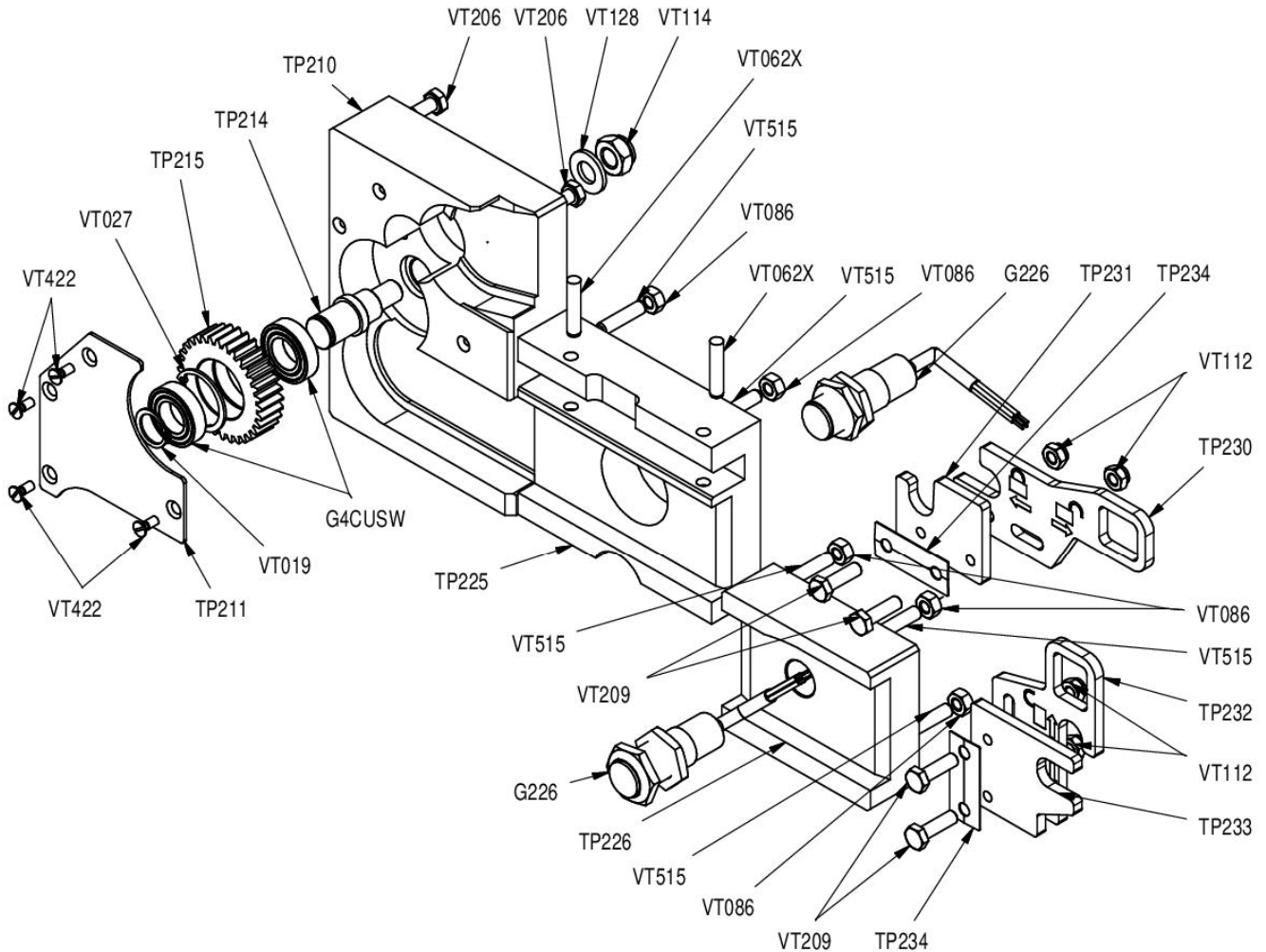


TP12 – TP30

FILETEADORA DE PECHUGAS DE POLLO Y DE PAVO
HORIZONTAL TABLE TOP MEAT SLICER

RELEASE 2024-06-18

Sheet: 3 / 19



0150 - RIGHT SIDE

CODE	DESCRIPTION	Q.TY
G4CUSW	BEARING W61902-2RS1 INOX	2
G226	CODED SENSOR	2
TP210	GEAR BOX	1
TP211	GEAR BOX COVER	1
TP214	PIVOT PIN	1
TP215	PIVOT GEAR	1
TP225	FINAL RIGHT GUIDE	1
TP226	INITIAL RIGHT GUIDE	1
TP230	UPPER LOCK	1
TP231	UPPER LOCK PLATE	1
TP232	LOWER LOCK	1
TP233	LOWER LOCK PLATE	1
TP234	LEAF SPRING	2
VT019	RETAINING RING EXTERNAL M15 SS	1
VT027	RETAINING RING INTERNAL M28 SS	1
VT062X	SS PARALLEL PIN 6x30 UNI 1707	2
VT086	HEX NUT M6 SS	8
VT112	SS NYLOK NUT M6	4
VT114	NYLOK NUT M10-1.5 SS	1
VT128	SS FLAT WASHER Ø10.3 UNI 6592	1
VT206	SS SCREW TE M6x12 UNI 5739	4
VT209	SS SCREW TE M6x20 UNI 5739	4
VT422	SCREW TSVTC M4x10 INOX UNI 6109	4
VT515	HEX SOCKET SET SCREW FLAT POINT M6-1x25 SS	8

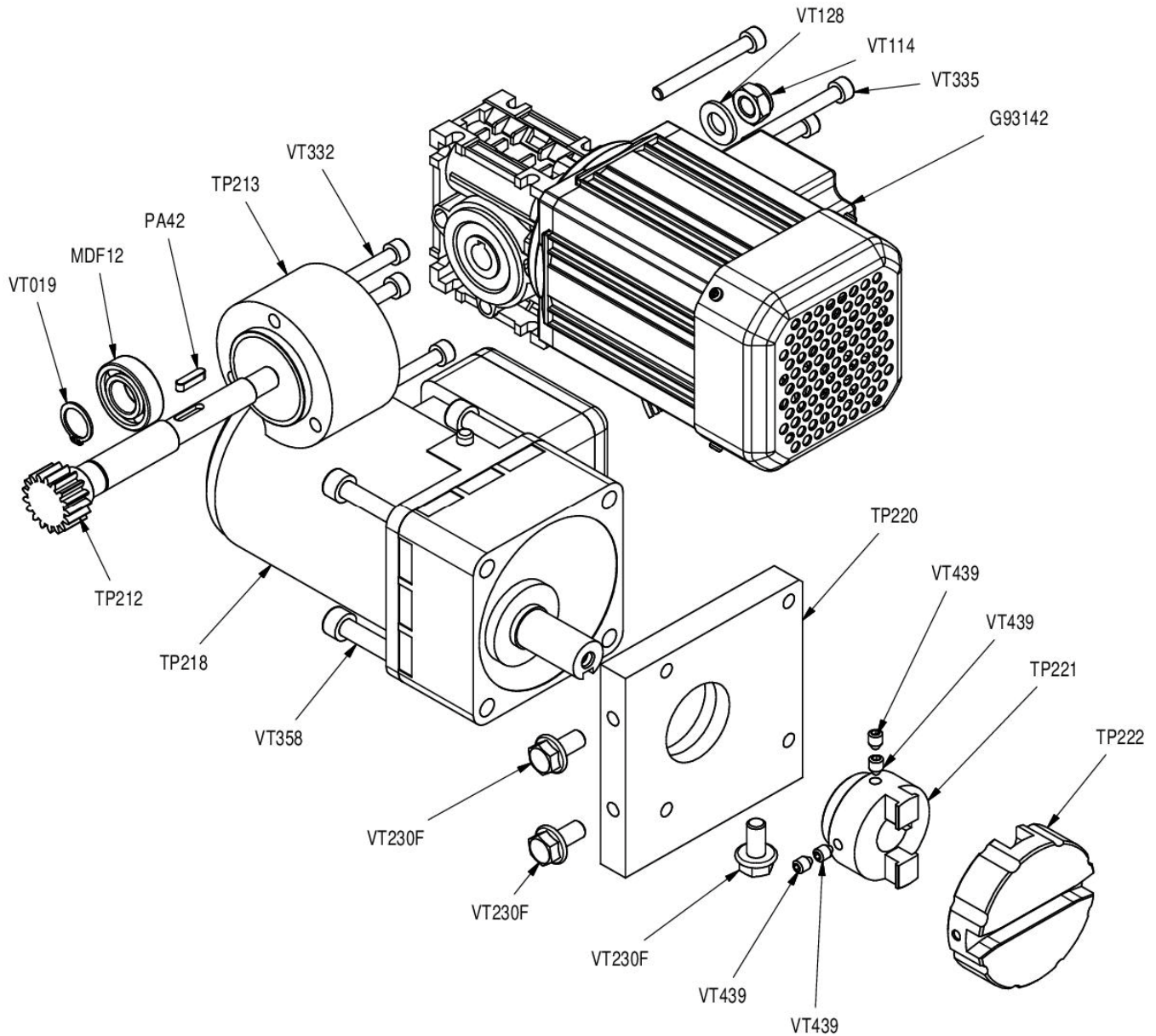


TP12 – TP30

FILETEADORA DE PECHUGAS DE POLLO Y DE PAVO
HORIZONTAL TABLE TOP MEAT SLICER

RELEASE 2024-06-18

Sheet: 4 / 19



0200US - GEAR MOTORS		
CODE	DESCRIPTION	Q.TY
G93142	MOTORGear 115V W90-4P B14+GEAR.. GR26-RATIO.60	1
MDF12	BEARING	1
PA42	KEY 4x4x16-UNI 6604-A	1
TP212	DRIVE GEAR	1
TP213	GEARMOTOR FLANGE	1
TP218	GEARMOTOR O.M. 230V 3PH 100W R5	1
TP220	KNIVES GEAR MOTOR PLATE	1
TP221	MOTOR COUPLING	1
TP222	CROSS JOINT	1
VT019	RETAINING RING EXTERNAL M15 SS	1
VT114	NYLOK NUT M10-1.5 SS	1
VT128	SS FLAT WASHER Ø10.3 UNI 6592	1
VT230F	FLANGED HEX HEAD SCREW M8-1.25x16 SS	3
VT332	SS SCREW TCCEI M6x40 UNI 5931	3
VT335	HEX SOCKET HEAD SCREW M6-1.0x55 SS	3
VT358	HEX SOCKET HEAD SCREW M8-1.25x70 SS	4
VT439	HEX SOCKET SET SCREW CUP POINT M6-1.0x8 SS	4

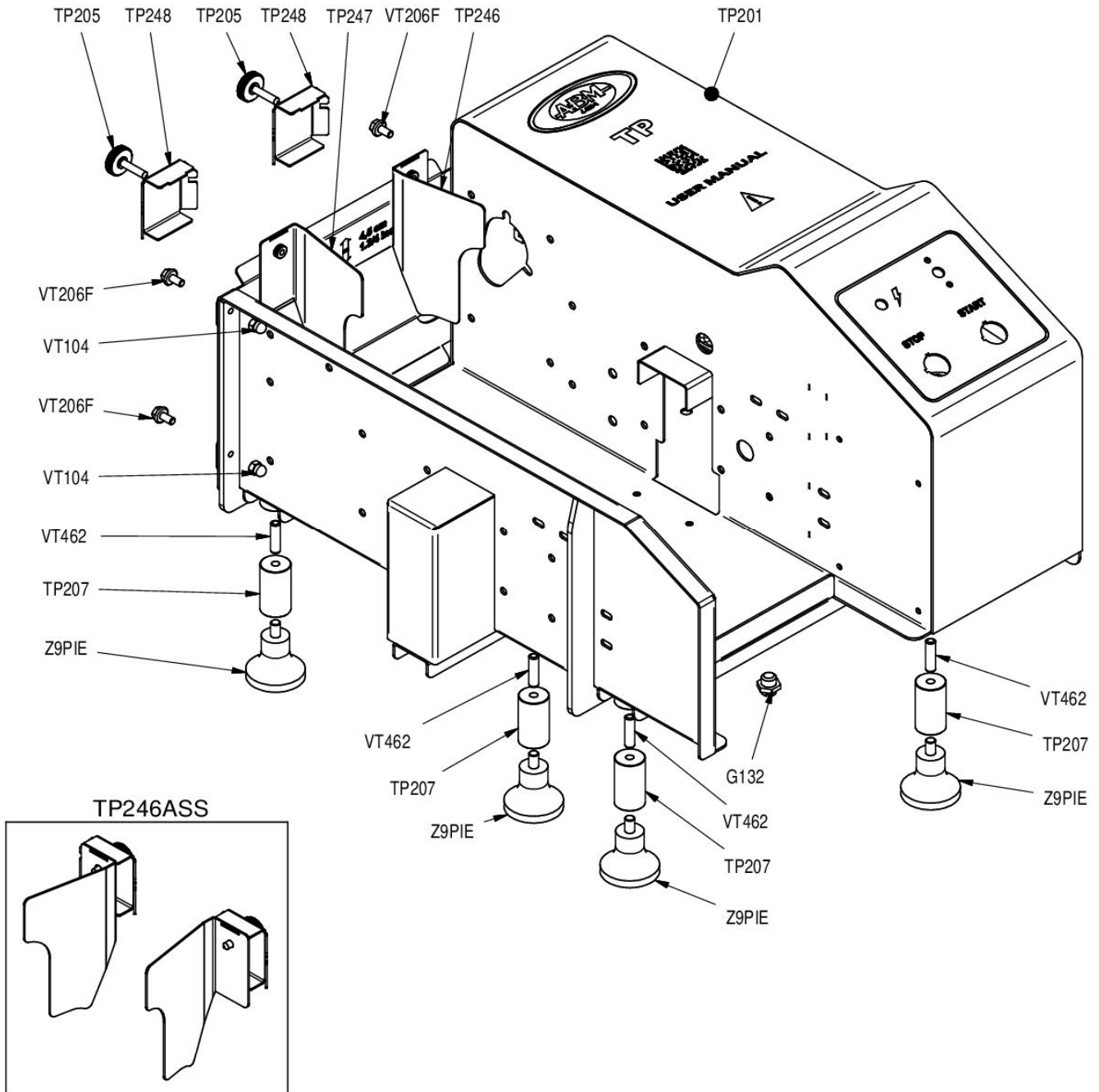


TP12 – TP30

FILETEADORA DE PECHUGAS DE POLLO Y DE PAVO
HORIZONTAL TABLE TOP MEAT SLICER

RELEASE 2024-06-18

Sheet: 5 / 19



0250US - FRAME		
CODE	DESCRIPTION	Q.TY
G132	GAUGE PLATE SLEEVE	1
G93144	MOTORGEAR 0.06 kW 4p 1ph 115V 60Hz i=60	1
TP201	WELDED CENTRAL FRAME	1
TP202	REAR COVER	1
TP205	KNOB Ø20 M6x20	2
TP207	FOOT SPACER	4
TP233	LOWER LOCK PLATE	2
TP234	LEAF SPRING	4
TP238A	CARD COVER	1
TP246	RIGHT SIDEBOARD	1
TP246ASS	SIDEBOARD GROUP	1
TP247	LEFT SIDEBOARD	1
TP248	BRACKET FOR SIDE PANELS	2
VT104	SS LOCKING NUT M6 UNI 5721	18
VT206F	FLANGED EX SCREW M6 1.0 x12 DIN 6921	4
VT462	HEX SOCKET SET SCREW FLAT POINT M8-1.25x30 SS	4
Z9PIE	FOOT Ø40 42h M8	4

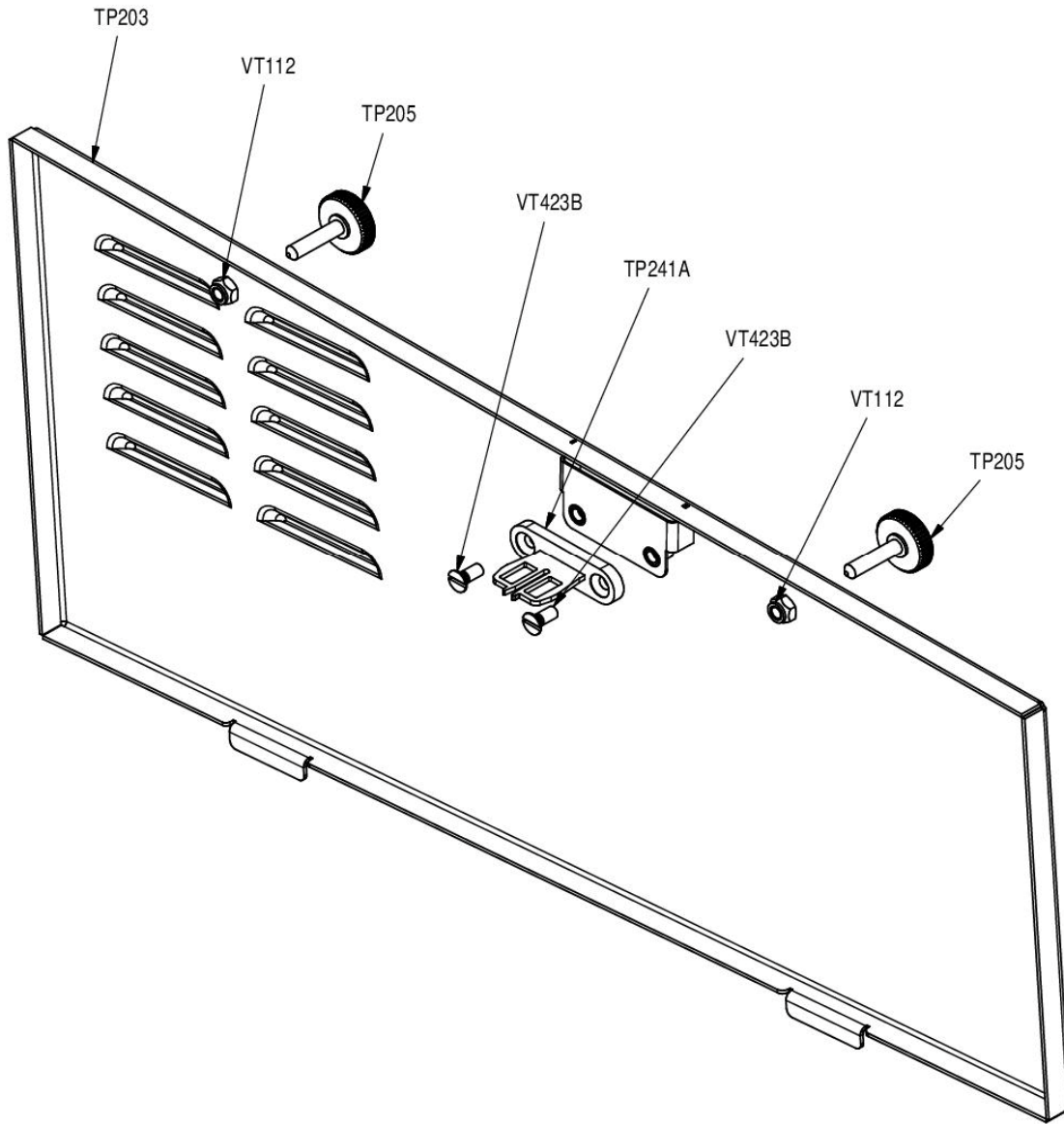


TP12 – TP30

FILETEADORA DE PECHUGAS DE POLLO Y DE PAVO
HORIZONTAL TABLE TOP MEAT SLICER

RELEASE 2024-06-18

Sheet: 6 / 19



0300US - PROTECTION COVER		
CODE	DESCRIPTION	Q.TY
TP203	WELDED PROTECTION COVER	1
TP205	KNOB Ø20 M6x20	2
TP241A	KEY	1
VT112	SS NYLOK NUT M6	2
VT423B	SLOTTED FLAT COUNTERSUNK HEAD M5-0.8x12 SS	2

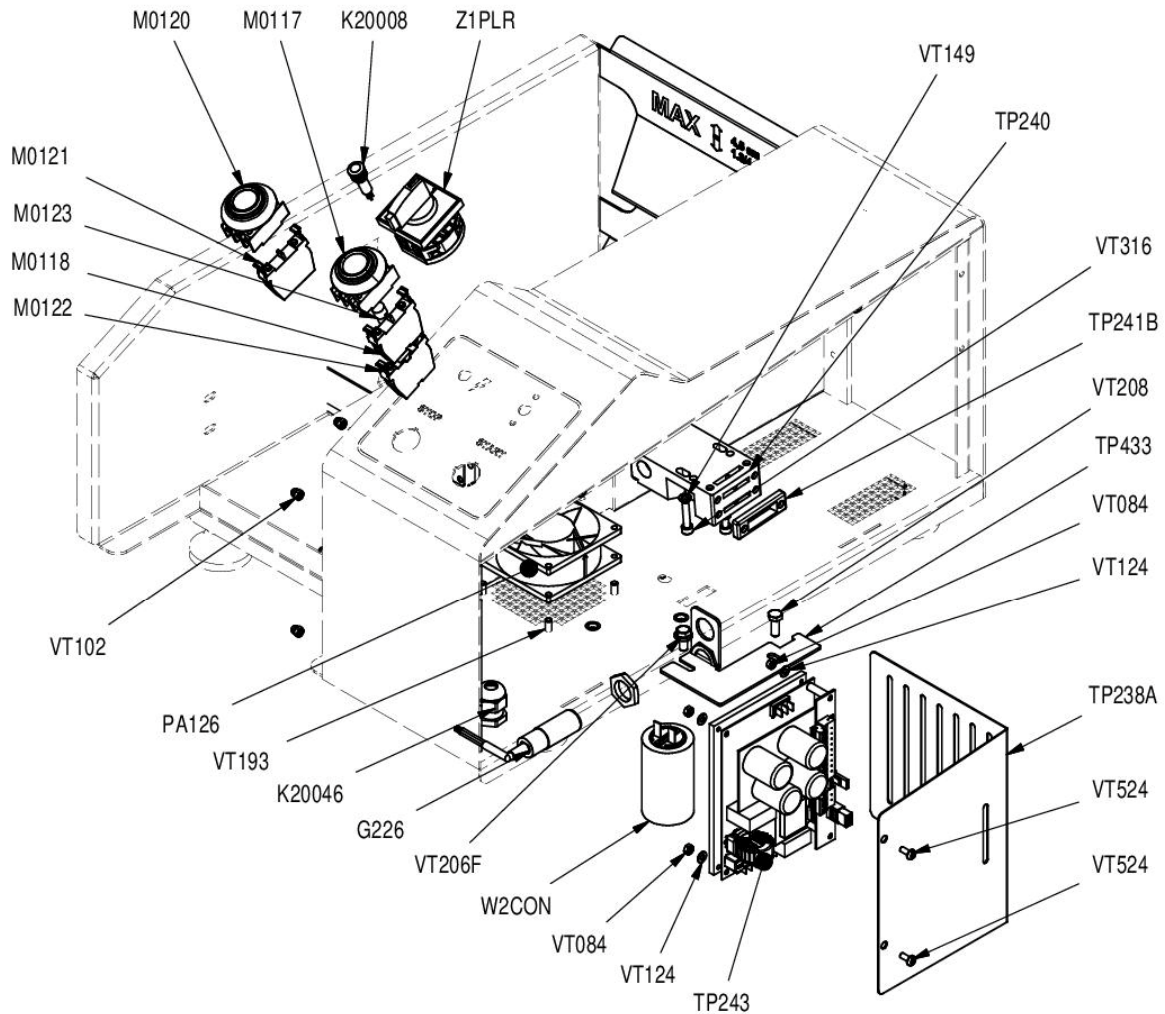


TP12 – TP30

FILETEADORA DE PECHUGAS DE POLLO Y DE PAVO
HORIZONTAL TABLE TOP MEAT SLICER

RELEASE 2024-06-18

Sheet: 7 / 19



0350US - ELECTRIC COMPONENTS		
CODE	DESCRIPTION	Q.TY
G226	CODED SENSOR	1
K20008	WHITE LIGHT Ø10 24V FAST-ON	1
K20046	CABLE GLAND BM PG11 WITH NUT	1
M0117	START BUTTON	1
M0118	NO CONTACT EF03.1	1
M0120	STOP BUTTON	1
M0121	NC CONTACT EF10.1	1
M0122	LED SUPPORT HOLDER	1
M0123	LED	1
PA126	AXIAL FAN	1
TP238A	CARD COVER	1
TP240	SCHMERSAL AZ16 101154221	1
TP241B	KEY GUIDE	1
TP243	INVERTER CARD 115V 30-70Hz	1
TP433	CUTTING GRID SAFETY SWITCH SUPPORT	1
VT084	SS LOCKING NUT M4 UNI 5588	4
VT102	ACORN HEX CAP M4 SS	4
VT124	SS FLAT WASHER Ø4,3 UNI 6592	4
VT149	SPLIT LOCK WASHER Ø5 SS	2
VT193	SS SCREW TE M5x12 UNI 5739	4
VT208	SS SCREW TE M6x16 UNI 5739	1
VT316	HEX SOCKET HEAD SCREW M5-0.8x25 SS	2
VT524	OVAL COUNTERSUNK HEAD M4-0.5x10 SS	2
W2CON	CAPACITOR 14µF CMI 1404	1
Z1PLR	MAIN SWITCH	1



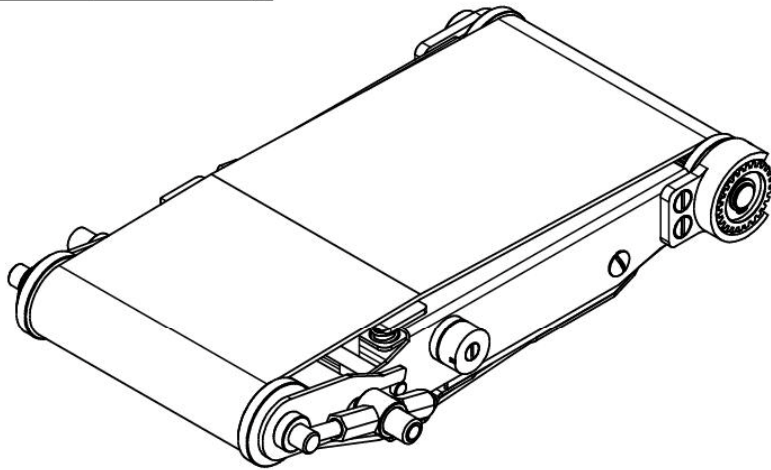
TP12 – TP30

FILETEADORA DE PECHUGAS DE POLLO Y DE PAVO
HORIZONTAL TABLE TOP MEAT SLICER

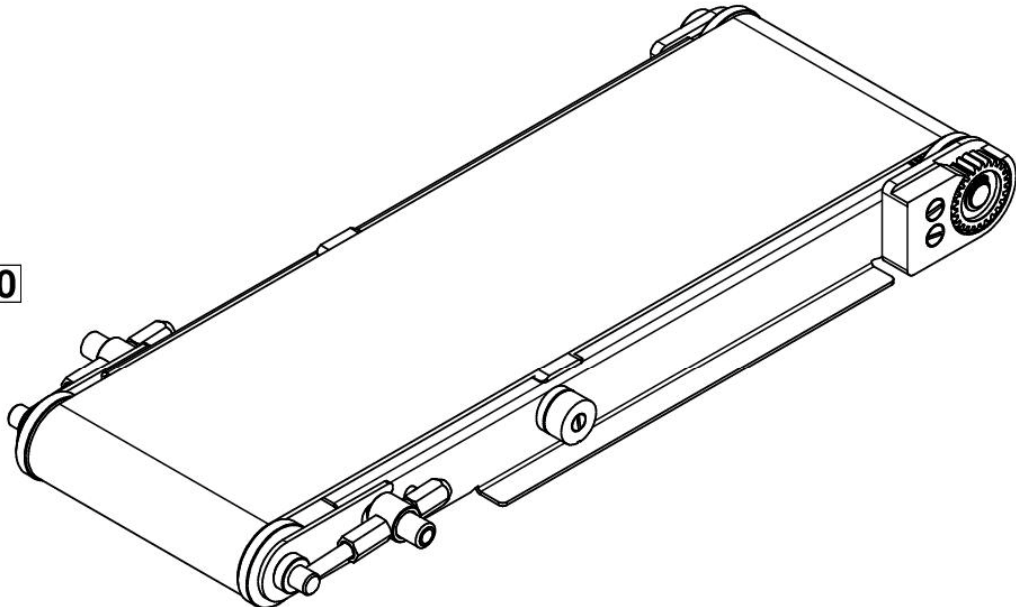
RELEASE 2024-06-18

Sheet: 8 / 19

TP505 (For TP12)
TP505MEX (For TP30)



TP510



0500 - SPARE CONVEYORS BELT ASSEMBLY		
CODE	DESCRIPTION	Q.TY
TP505	UPPER CONVEYOR ASSEMBLY	1
TP505MEX	UPPER CONVEYOR ASSEMBLY	1
TP510	LOWER CONVEYOR ASSEMBLY	1



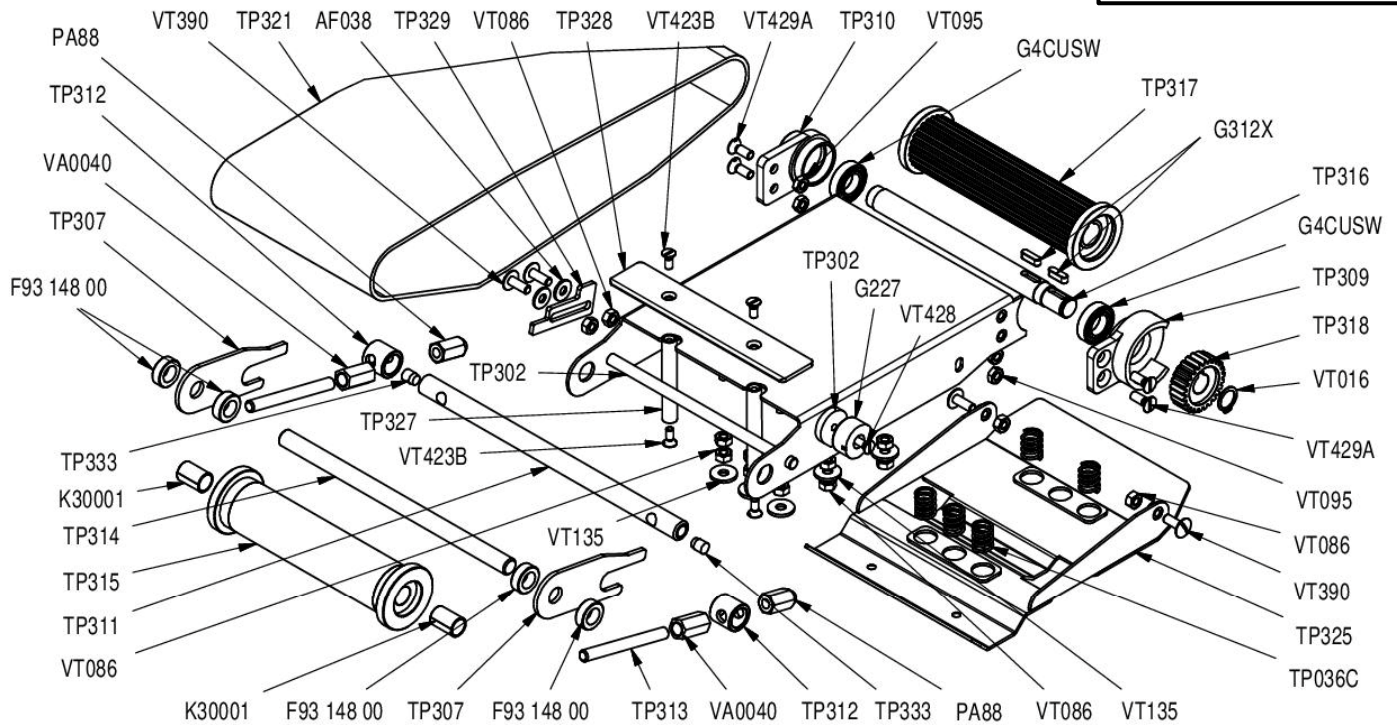
TP12 – TP30

FILETEADORA DE PECHUGAS DE POLLO Y DE PAVO
HORIZONTAL TABLE TOP MEAT SLICER

RELEASE 2024-06-18

Sheet: 9 / 19

ONLY FOR TP12



0400 - TP505 - UPPER CONVEYOR BELT		
CODE	DESCRIPTION	Q.TY
AF038	PLASTIC SEAL RING Ø6,2xØ15x1,5	2
F93 148 00	ROLL BUSHING 12x20x7	4
G4CUSW	BEARING W61902-2RS1 INOX	2
G227	CODED MAGNET	1
G312X	SS KEY 5x5x16 UNI 6604-A	2
K30001	BUSHING 121420 E	2
PA88	STRETCHER BLIND NUT	2
TP036C	SS SPRING 1.6x36	5
TP302	UPPER CONVEYOR BELT ARM	1
TP307	SIDE PLATE	2
TP309	UPPER RIGHT SUPPORT	1
TP310	LEFT SUPPORT	1
TP311	HINGE OIN	1
TP312	HINGE SPACER	2
TP313	TENSIONER ROD	2
TP314	TENSIONIG SHAFT	1
TP315	TENSIONIG ROLLER	1
TP316	MOTOR ROLL SHAFT	1
TP317	TOOTHED MOTOR ROLLER	1
TP318	CONVEYORS GEAR	1
TP321	UPPER TOOTHED BELT	1
TP325	PIVOTAL SKID	1
TP327	COLUMN 10x66	2
TP328	STRIPED SKID	1
TP329	UPSETTING LOCK	1
TP333	PAWL	2
VA0040	THROUGH NUT	2
VT016	SS RETAINING RING EXTERNAL Dn14	1
VT086	HEX NUT M6 SS	14
VT095	HEX JAM NUT M6 SS	4
VT135	FLAT WASHER LG OD Ø6-18 SS	5
VT390	OVAL COUNTERSUNK HEAD M6x16 SS	4
VT423B	SLOTTED FLAT COUNTERSUNK HEAD M5x12 SS	4
VT428	SS SCREW TSVTC M5x20 UNI 6109	1
VT429A	SLOTTED FLAT COUNTERSUNK HEAD M6x16 SS	4



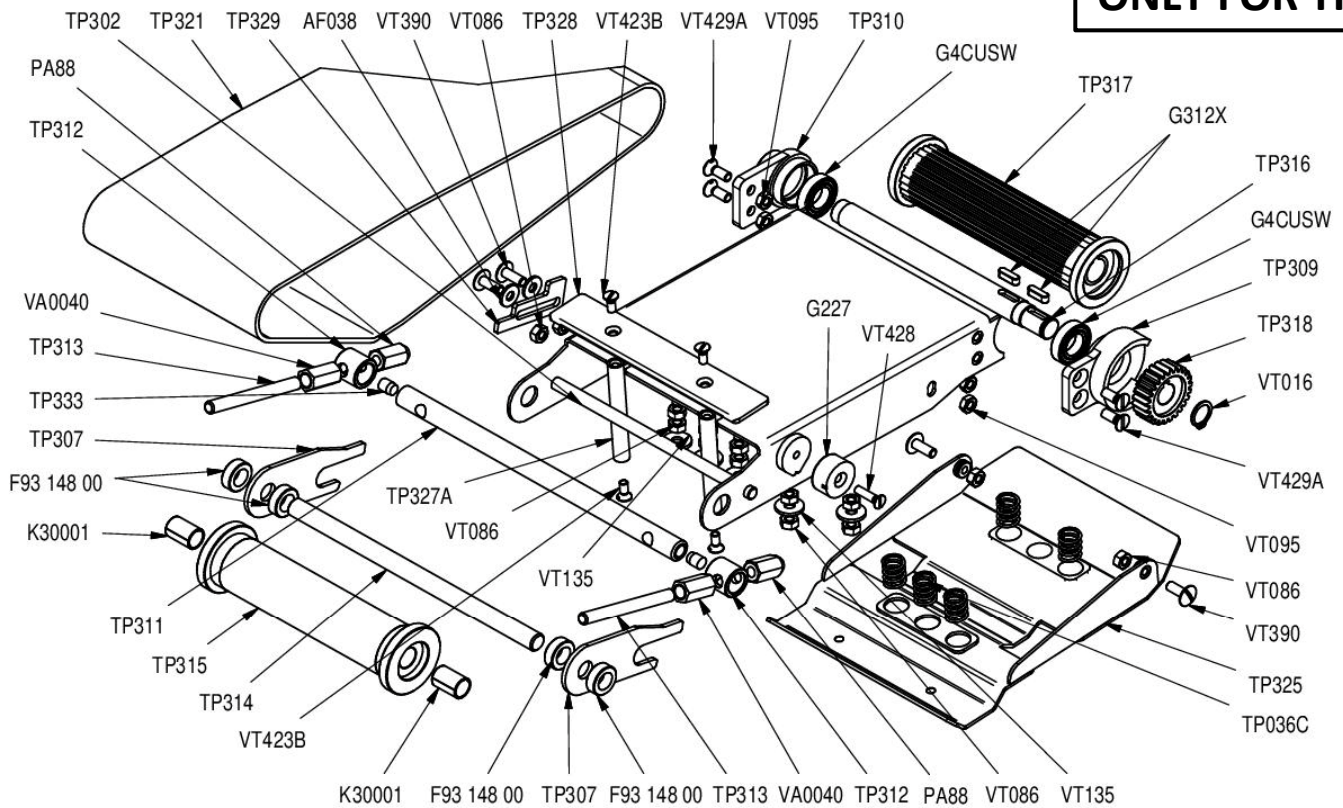
TP12 – TP30

FILETEADORA DE PECHUGAS DE POLLO Y DE PAVO
HORIZONTAL TABLE TOP MEAT SLICER

RELEASE 2024-06-18

Sheet: 10 / 19

ONLY FOR TP30



0410 - TP505MEX - UPPER CONVEYOR BELT		
CODE	DESCRIPTION	Q.TY
AF038	PLASTIC SEAL RING Ø6,2xØ15x1,5	2
F93 148 00	ROLL BUSHING 12x20x7	4
G4CUSW	BEARING W61902-2RS1 INOX	2
G227	CODED MAGNET	1
G312X	SS KEY 5x5x16 UNI 6604-A	2
K30001	BUSHING 121420 E	2
PA88	STRETCHER BLIND NUT	2
TP036C	SS SPRING 1.6x36	5
TP302	UPPER CONVEYOR BELT ARM	1
TP307	SIDE PLATE	2
TP309	UPPER RIGHT SUPPORT	1
TP310	LEFT SUPPORT	1
TP311	HINGE OIN	1
TP312	HINGE SPACER	2
TP313	TENSIONER ROD	2
TP314	TENSIONIG SHAFT	1
TP315	TENSIONIG ROLLER	1
TP316	MOTOR ROLL SHAFT	1
TP317	TOOTHED MOTOR ROLLER	1
TP318	CONVEYORS GEAR	1
TP321	UPPER TOOTHED BELT	1
TP325	PIVOTAL SKID	1
TP327A	COLUMN 10x76	2
TP328	STRIPED SKID	1
TP329	UPSETTING LOCK	1
TP333	PAWL	2
VA0040	THROUGH NUT	2
VT016	SS RETAINING RING EXTERNAL Dn14	1
VT086	HEX NUT M6 SS	14
VT095	HEX JAM NUT M6 SS	4
VT135	FLAT WASHER LG OD Ø6-18 SS	5
VT390	OVAL COUNTERSUNK HEAD M6x16 SS	4
VT423B	SLOTTED FLAT COUNTERSUNK HEAD M5x12 SS	4
VT428	SS SCREW TSVTC M5x20 UNI 6109	1
VT429A	SLOTTED FLAT COUNTERSUNK HEAD M6x16 SS	4

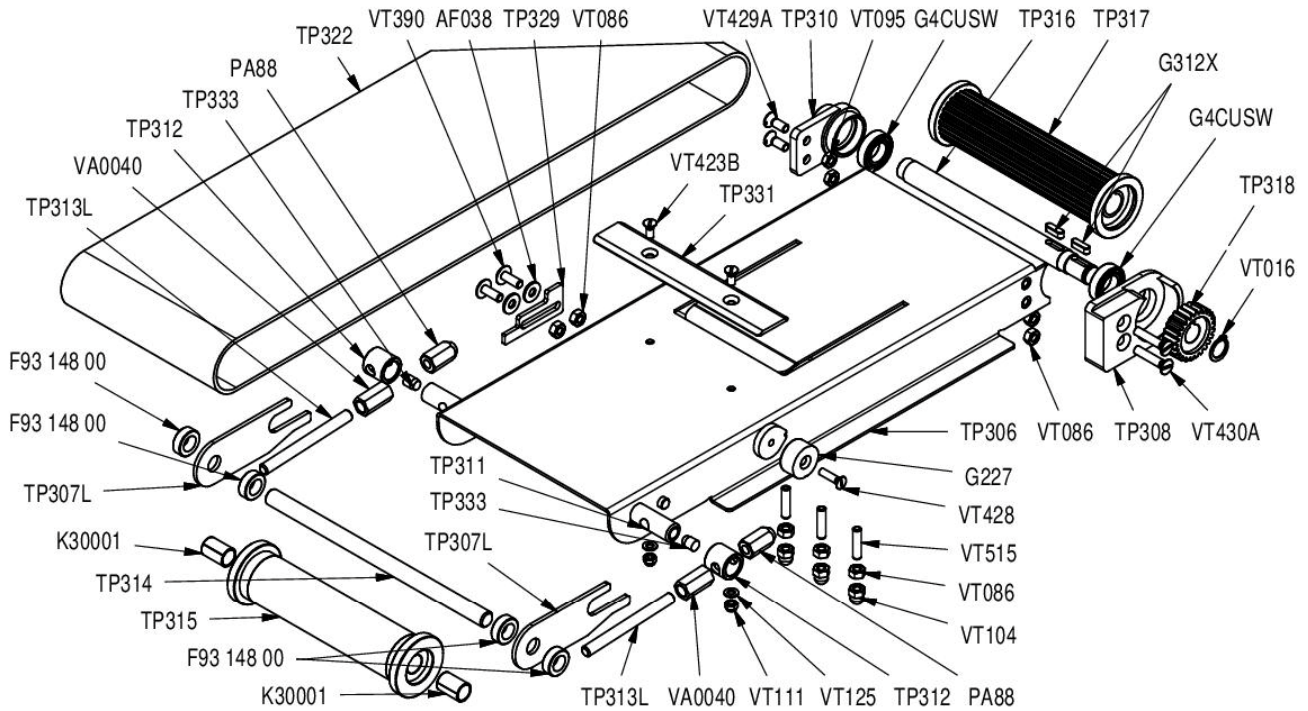


TP12 – TP30

FILETEADORA DE PECHUGAS DE POLLO Y DE PAVO
HORIZONTAL TABLE TOP MEAT SLICER

RELEASE 2024-06-18

Sheet: 11 / 19



0450 - TP510 - LOWER CONVEYOR BELT

CODE	DESCRIPTION	Q.TY
AF038	PLASTIC SEAL RING Ø6,2xØ15x1,5	2
F93 148 00	ROLL BUSHING 12x20x7	4
G4CUSW	BEARING W61902-2RS1 INOX	2
G227	CODED MAGNET	1
G312X	SS KEY 5x5x16 UNI 6604-A	2
K30001	BUSHING 121420 E	2
PA88	STRETCHER BLIND NUT	2
TP306	LOWER CONVEYOR BELT SUPPORT	1
TP307L	LOWER SIDE PLATE	2
TP308	LOWER RIGHT SUPPORT	1
TP310	LEFT SUPPORT	1
TP311	HINGE OIN	1
TP312	HINGE SPACER	2
TP313L	LONG TENSIONER ROD	2
TP314	TENSIONIG SHAFT	1
TP315	TENSIONIG ROLLER	1
TP316	MOTOR ROLL SHAFT	1
TP317	TOOTHED MOTOR ROLLER	1
TP318	CONVEYORS GEAR	1
TP322	LOWER TOOTHED BELT	1
TP329	UPSETTING LOCK	1
TP331	THICKNESS FOR BELT	1
TP333	PAWL	2
VA0040	THROUGH NUT	2
VT016	SS RETAINING RING EXTERNAL Dn14	1
VT086	HEX NUT M6 SS	7
VT095	HEX JAM NUT M6 SS	2
VT104	SS LOCKING NUT M6 UNI 5721	3
VT111	SS NILOK NUT M5	2
VT125	SS FLAT WASHER Ø5,3 UNI 6592	2
VT390	OVAL COUNTERSUNK HEAD M6x16 SS	2
VT423B	SLOTTED FLAT COUNTERSUNK HEAD M5x12 SS	2
VT428	SS SCREW TSVTC M5x20 UNI 6109	1
VT429A	SLOTTED FLAT COUNTERSUNK HEAD M6x16 SS	2
VT430A	SLOTTED FLAT COUNTERSUNK HEAD M6x30 SS	2
VT515	HEX SOCKET SET SCREW FLAT POINT M6x25 SS	3



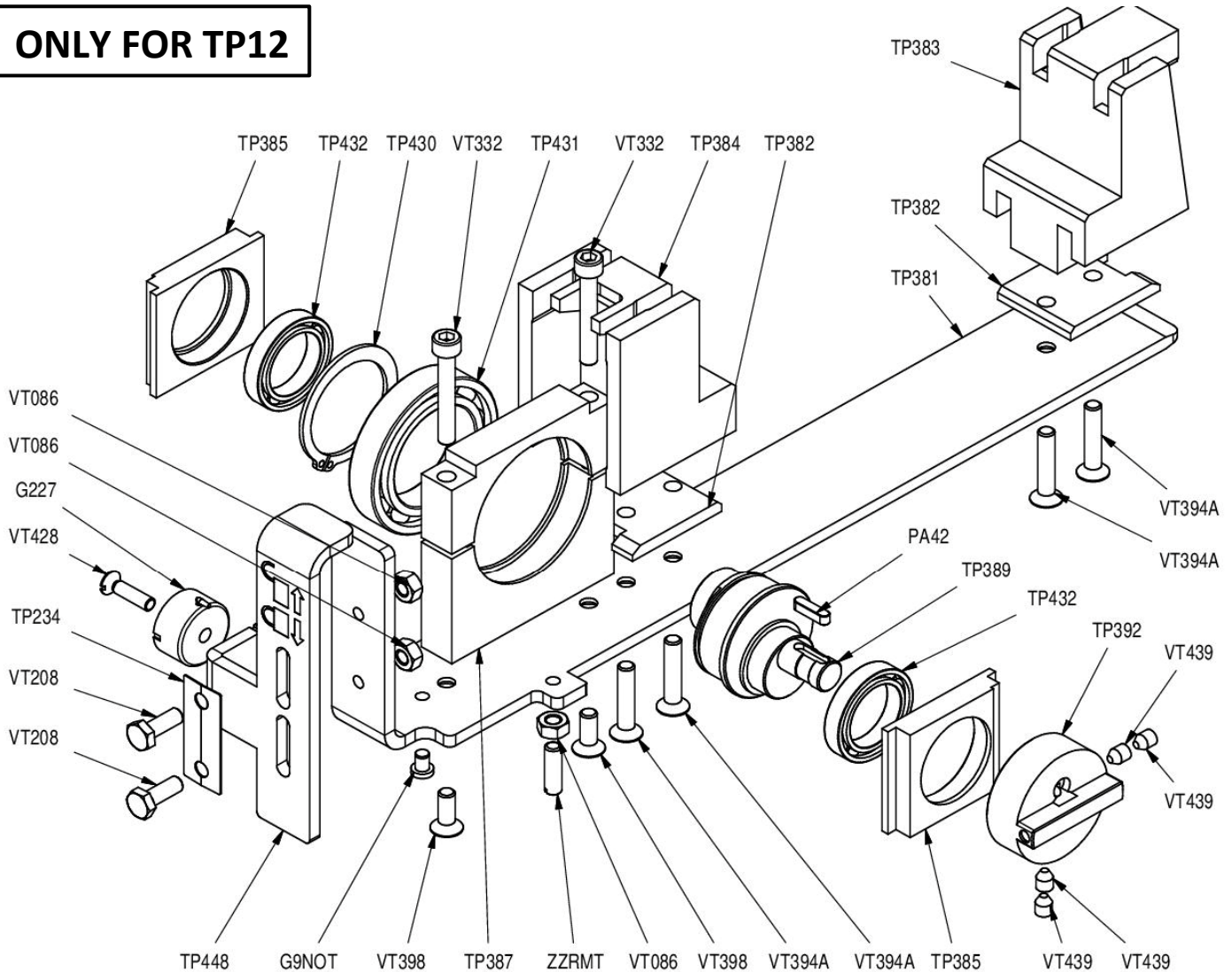
TP12 – TP30

FILETEADORA DE PECHUGAS DE POLLO Y DE PAVO
HORIZONTAL TABLE TOP MEAT SLICER

RELEASE 2024-06-18

Sheet: 12 / 19

ONLY FOR TP12



0550US - COMMON PARTS CUTTING GROUPS		
CODE	DESCRIPTION	Q.TY
G9NOT	NYLON NUT Ø8 Ø5x9,5h	1
G227	CODED MAGNET	1
PA42	KEY 4x4x16-UNI 6604-A	1
TP234	LEAF SPRING	1
TP381	BASE PLATE	1
TP382	FLAT SKID	2
TP383	BOTTOM SKID	1
TP384	HEAD SKID	1
TP385	SLIDING SKID	2
TP387	CAM SUPPORT	1
TP389	CAM SHAFT	1
TP392	JOINT ON ECCENTRIC SHAFT 6	1
TP430	RETAINING RING EXTERNAL M40 SS	1
TP431	BALL BEARING W61908-2RS1 40x62x12	1
TP432	BALL BEARING W61805 2RS1 25-37-7	2
TP448	CUTTING GRID SET LOCK	1
VT086	HEX NUT M6 SS	3
VT208	SS SCREW TE M6x16 UNI 5739	2
VT332	SS SCREW TCCEI M6x40 UNI 5931	2
VT394A	HEX SOCKET SLOTTED FLAT HEAD M6x30 SS	4
VT398	HEX SOCKET SLOTTED FLAT HEAD M6x16 UNI 5933 SS	2
VT428	SS SCREW TSVTC M5x20 UNI 6109	1
VT439	HEX SOCKET SET SCREW CUP POINT M6x8 SS	4
ZZRMT	SCREW M6x20	1



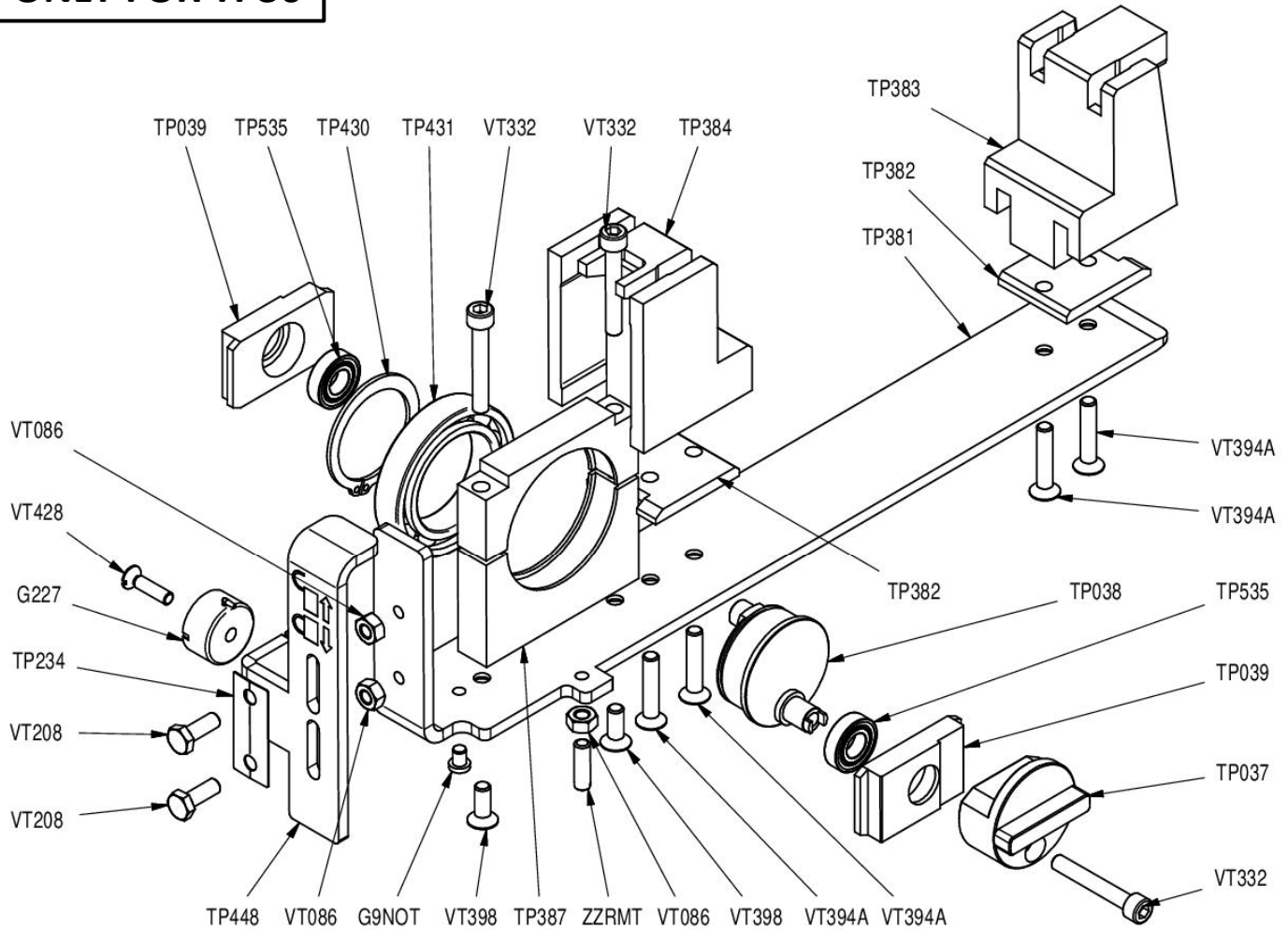
TP12 – TP30

FILETEADORA DE PECHUGAS DE POLLO Y DE PAVO
HORIZONTAL TABLE TOP MEAT SLICER

RELEASE 2024-06-18

Sheet: 13 / 19

ONLY FOR TP30



0555 - BLADE GROUP COMMON PARTS STROKE 30mm		
CODE	DESCRIPTION	Q.TY
G9NOT	NYLON NUT Ø8 Ø5x9,5h	1
G227	CODED MAGNET	1
G441	PLUG 5x15	2
TP037	JOIN ON ECCENTRIC SHAFT 15	1
TP038	ECCENTRIC SHAFT 15	1
TP039	SLIDING SKID	2
TP234	LEAF SPRING	1
TP381	BASE PLATE	1
TP382	FLAT SKID	2
TP383	BOTTOM SKID	1
TP384	HEAD SKID	1
TP387	CAM SUPPORT	1
TP430	RETAINING RING EXTERNAL M40 SS	1
TP431	BALL BEARING W61908-2RS1 40x62x12	1
TP448	CUTTING GRID SET LOCK	1
TP535	BEARING SKF W61900-2RS1	2
VT085	LOCKING NUT M5 INOX UNI 5588	2
VT086	HEX NUT M6 SS	3
VT195	HEX HEAD SCREW M5x16 SS	2
VT201	HEX HEAD FLANGED SREW M4x1X10 DIN 6921	4
VT208	SS SCREW TE M6x16 UNI 5739	2
VT332	SS SCREW TCCEI M6x40 UNI 5931	3
VT394A	HEX SOCKET SLOTTED FLAT HEAD M6x30 SS	4
VT398	HEX SOCKET SLOTTED FLAT HEAD M6x16 UNI 5933 SS	2
VT428	SS SCREW TSVTC M5x20 UNI 6109	1
ZZRMT	SCREW M6x20	1



TP12 – TP30

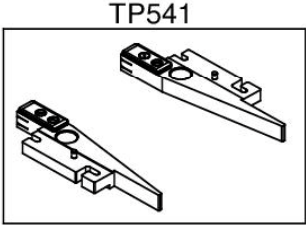
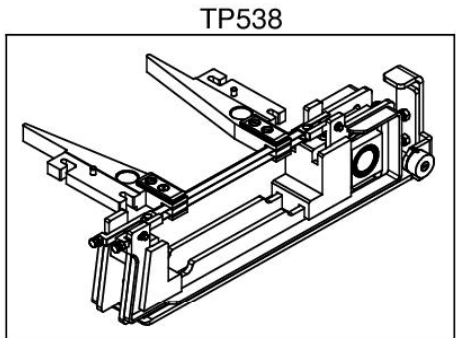
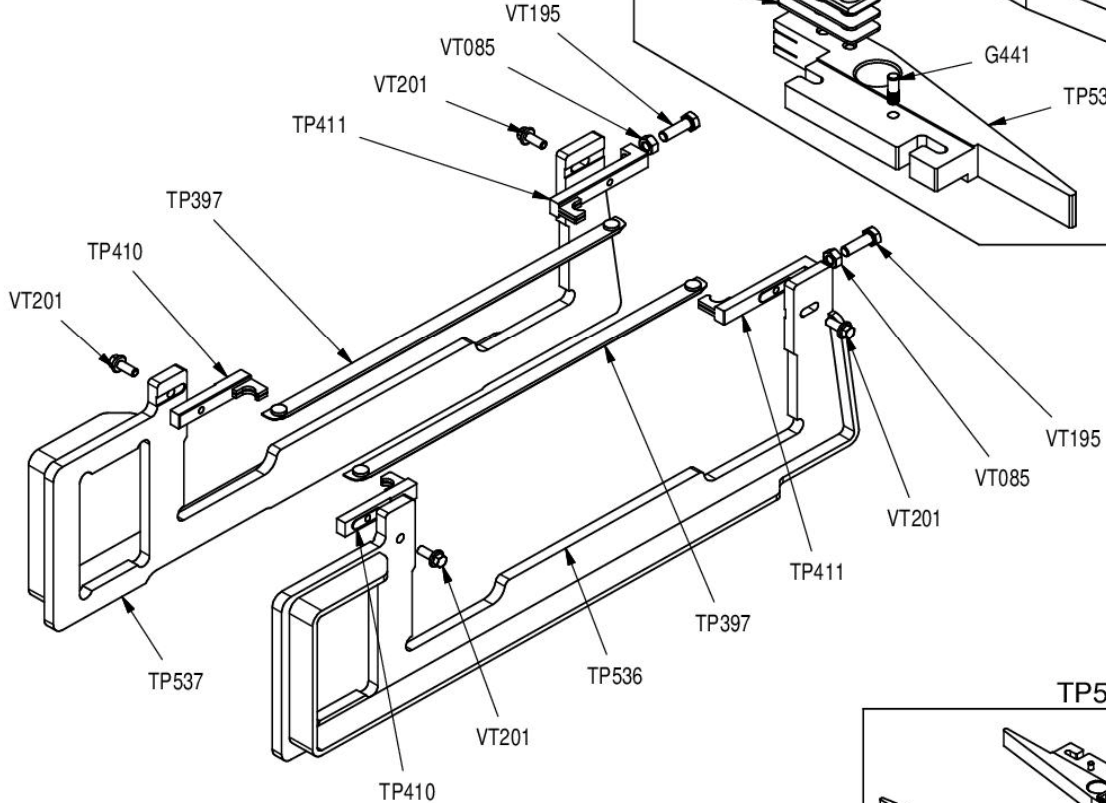
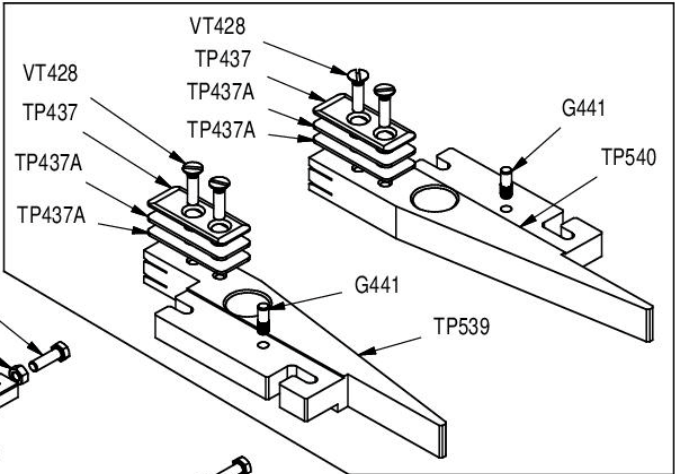
FILETEADORA DE PECHUGAS DE POLLO Y DE PAVO
HORIZONTAL TABLE TOP MEAT SLICER

RELEASE 2024-06-18

Sheet: 14 / 19

ONLY FOR TP12

TP541
GRUPPO PETTINI
GUIDE ASSEMBLY



Cod. **TP538** (2 LAME → 3 fette spessore 8mm)

Item **TP538** (2 BLADES → 3 slices 8mm thick)

0605US - CUTTING GRID FOR 3 SLICES 8mm THICKNESS		
CODE	DESCRIPTION	Q.TY
G441	PLUG 5x15	2
TP397	BLADE 10x0.5x228	2
TP410	BLADE ATTACHMENT	2
TP411	BLADE ATTACHEMENT WITH TENSOR	2
TP437	PLATE OVER THE GUIDE	2
TP437A	SPACER FOR OVER THE GUIDE	4
TP536	RIGHT BOW 1 BLADE	1
TP537	LEFT BOW 1 BLADE	1
TP539	RIGHT GUIDE 2 BLADES 8mm	1
TP540	LEFT GUIDE 2 BLADES 8mm	1
VT085	LOCKING NUT M5 INOX UNI 5588	3
VT195	HEX HEAD SCREW M5x16 SS	2
VT201	HEX HEAD FLANGED SREW M4x1X10 DIN 6921	4
VT428	SS SCREW TSVTC M5x20 UNI 6109	5



TP12 – TP30

FILETEADORA DE PECHUGAS DE POLLO Y DE PAVO HORIZONTAL TABLE TOP MEAT SLICER

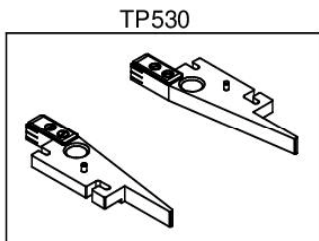
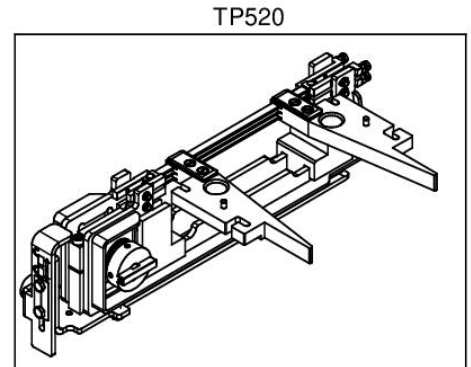
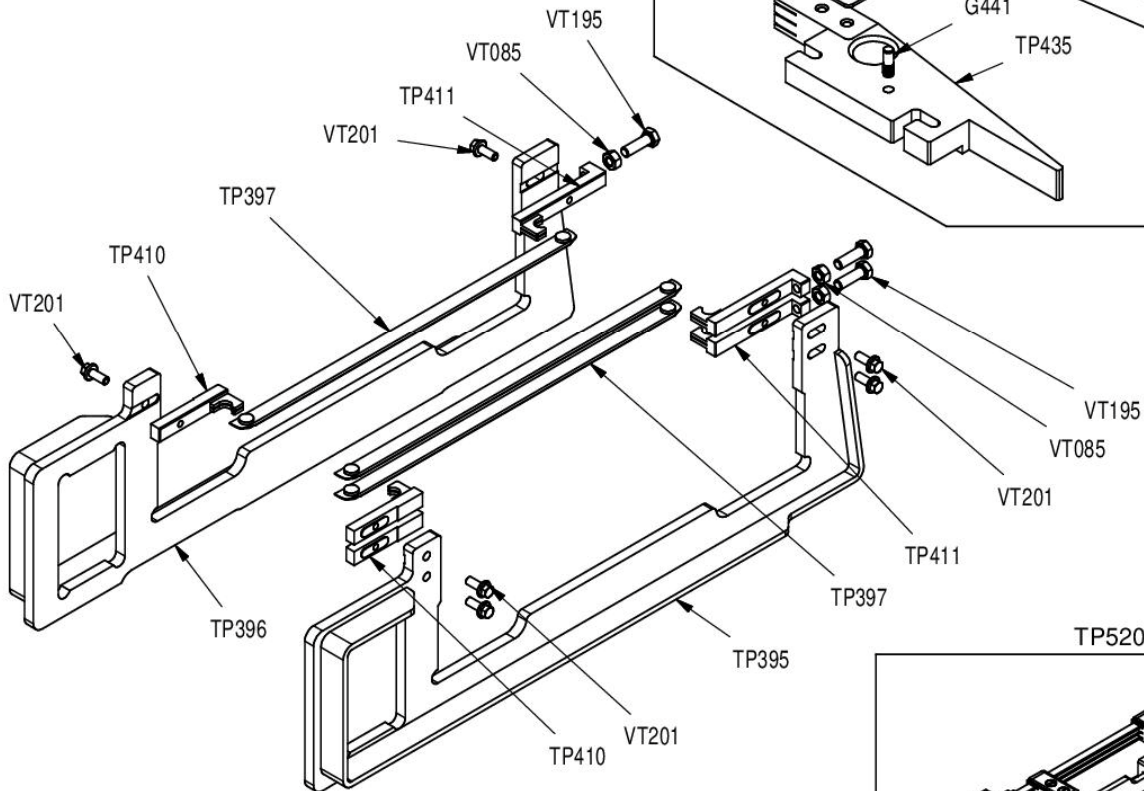
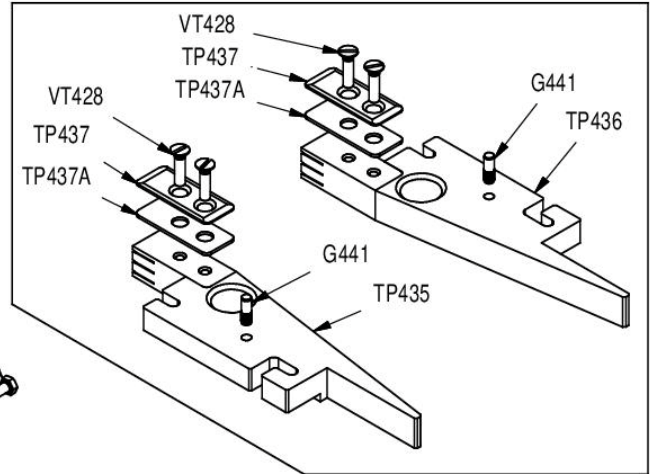
RELEASE 2024-06-18

Sheet: 15 / 19

ONLY FOR TP12

TP530

GRUPPO PETTINI
GUIDE ASSEMBLY



Cod. **TP520** (3 LAME → 4 fette spessore 6mm)

Item **TP520** (3 BLADES → 4 slices 6mm thick)

0600 - CUTTING GRID SET FOR 4 SLICES x 6 mm THICKNESS

CODE	DESCRIPTION	Q.TY
G441	PLUG 5x15	2
TP395	RIGHT BOW 2 BLADES	1
TP396	LEFT BOW 1 BLADE	1
TP397	BLADE 10x0.5x228	3
TP410	BLADE ATTACHMENT	3
TP411	BLADE ATTACHEMENT WITH TENSOR	3
TP435	RIGHT GUIDE 3 BLADES 6mm	1
TP436	LEFT GUIDE 3 BLADES 6mm	1
TP437	PLATE OVER THE GUIDE	2
TP437A	SPACER FOR OVER THE GUIDE	2
VT085	LOCKING NUT M5 INOX UNI 5588	3
VT195	HEX HEAD SCREW M5-0.8x16 SS	3
VT201	HEX HEAD FLANGED SREW M4x1X10 DIN 6921	6
VT428	SS SCREW TSVTC M5x20 UNI 6109	5



TP12 – TP30

FILETEADORA DE PECHUGAS DE POLLO Y DE PAVO
HORIZONTAL TABLE TOP MEAT SLICER

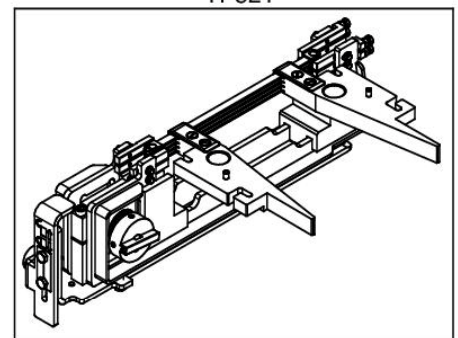
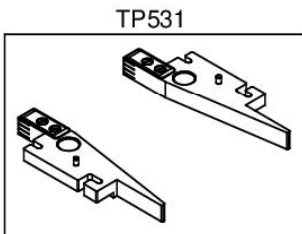
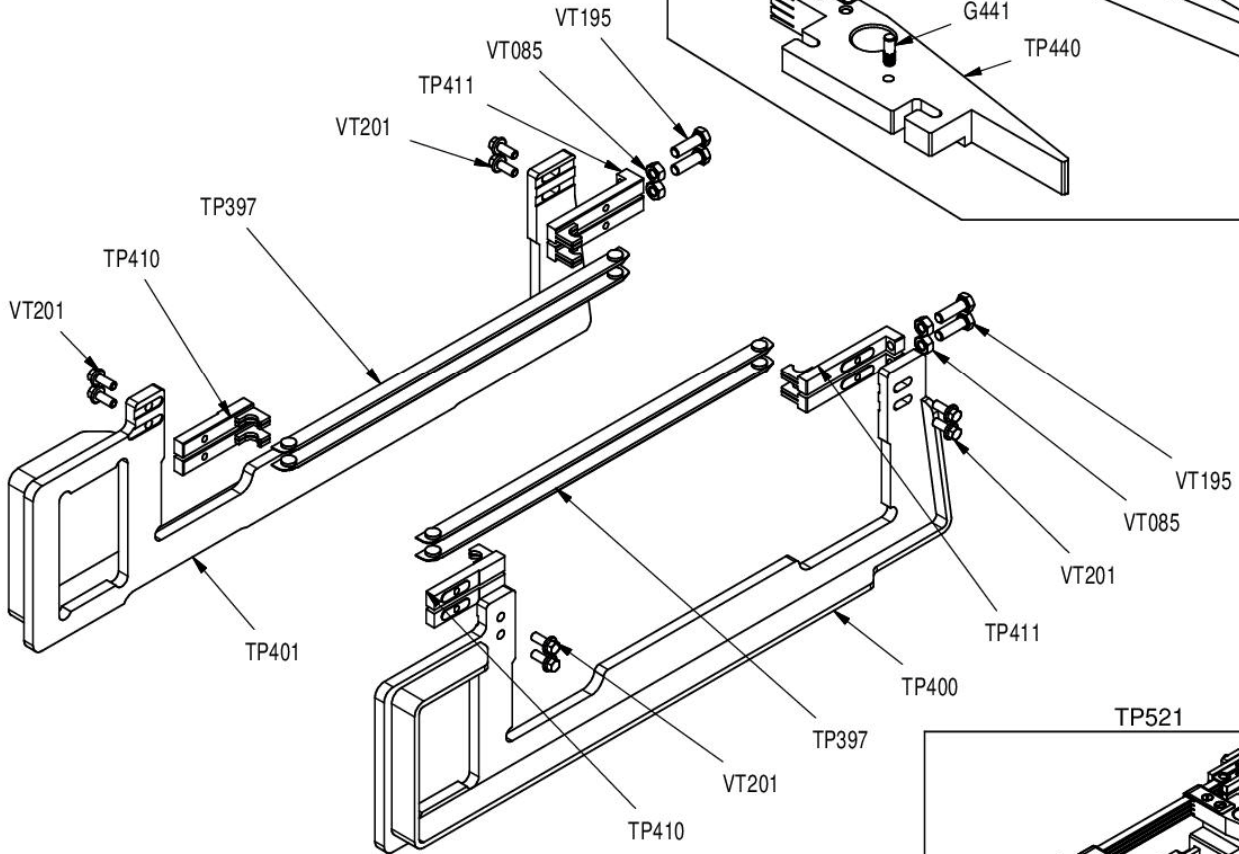
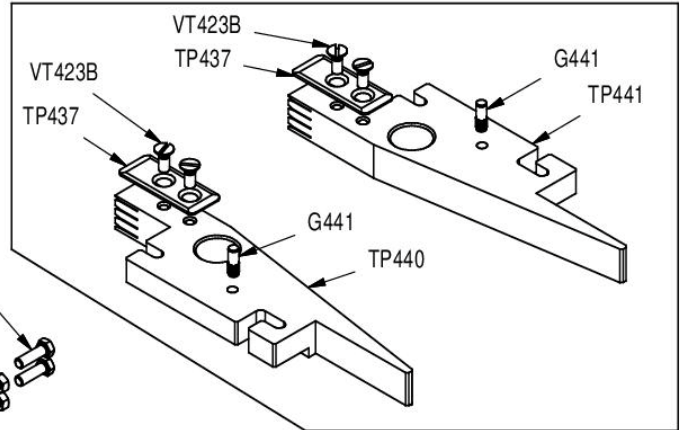
RELEASE 2024-06-18

Sheet: 16 / 19

ONLY FOR TP12

TP531

GRUPPO PETTINI
GUIDE ASSEMBLY



Cod. **TP521** (4 LAME → 5 fette spessore 5mm)

Item **TP521** (4 BLADES → 5 slices 5mm thick)

0610 - CUTTING GRID SET 5 SLICES x 5 mm THICKNESS

CODE	DESCRIPTION	Q.TY
G441	PLUG 5x15	2
TP397	BLADE 10x0.5x228	4
TP400	RIGHT BOW 2 BLADES	1
TP401	LEFT BOW 2 BLADES	1
TP410	BLADE ATTACHMENT	4
TP411	BLADE ATTACHEMENT WITH TENSOR	4
TP437	PLATE OVER THE GUIDE	2
TP440	RIGHT GUIDE 4 BLADES 5mm	1
TP441	LEFT GUIDE 4 BLADES 5mm	1
VT085	LOCKING NUT M5 INOX UNI 5588	4
VT195	HEX HEAD SCREW M5x16 SS	4
VT201	HEX HEAD FLANGED SREW M4x10 DIN 6921	8
VT423B	SLOTTED FLAT COUNTERSUNK HEAD M5x12 SS	4



TP12 – TP30

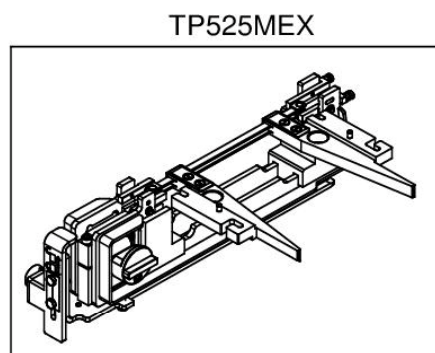
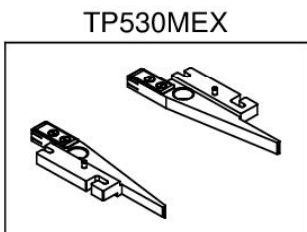
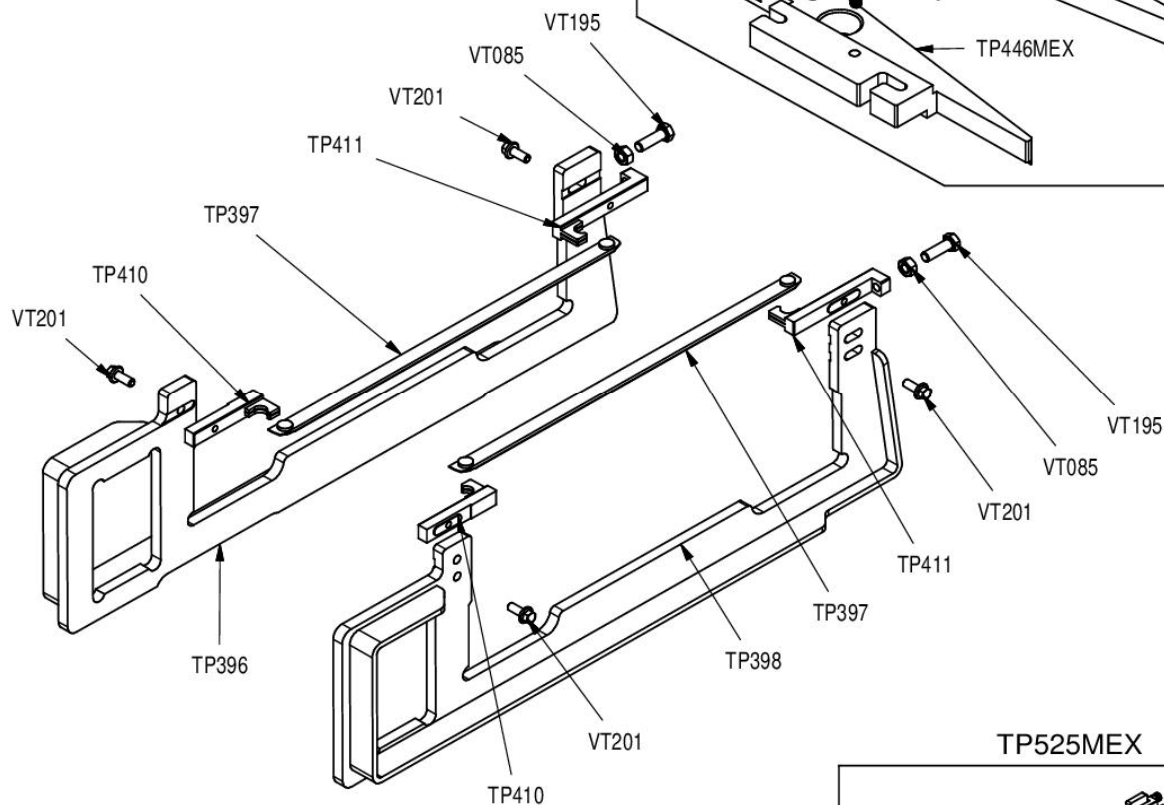
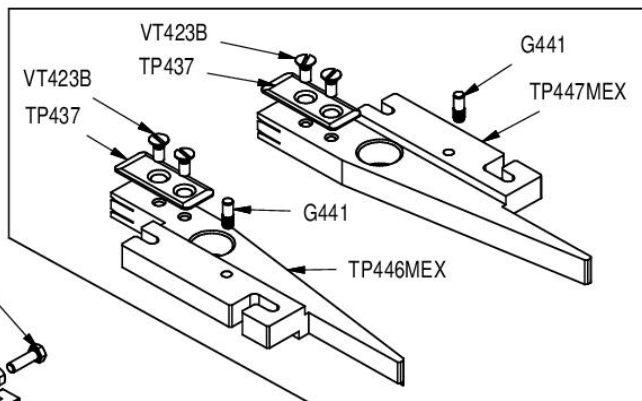
FILETEADORA DE PECHUGAS DE POLLO Y DE PAVO HORIZONTAL TABLE TOP MEAT SLICER

RELEASE 2024-06-18

Sheet: 17 / 19

ONLY FOR TP30

TP530MEX
GRUPPO PETTINI
GUIDE ASSEMBLY



Cod. **TP525MEX** (2 LAME → 3 fette spessore 6mm)
Item. **TP525MEX** (2 BLADES → 3 slices 6mm thick)

0605 - CUTTING GRID FOR 3 SLICES 6mm THICKNESS		
CODE	DESCRIPTION	Q.TY
G441	PLUG 5x15	2
TP396	LEFT BOW 1 BLADE	1
TP397	BLADE 10x0.5x228	2
TP398	RIGHT BOW 2 BLADES	1
TP410	BLADE ATTACHMENT	2
TP411	BLADE ATTACHEMENT WITH TENSOR	2
TP437	PLATE OVER THE GUIDE	2
TP446MEX	RIGHT GUIDE TP30 2 BLADES 3 SLICES 6mm	1
TP447MEX	LEFT GUIDE TP30 2 BLADES 3 SLICES 6mm	1
VT085	LOCKING NUT M5 INOX UNI 5588	2
VT195	HEX HEAD SCREW M5x16 SS	2
VT201	HEX HEAD FLANGED SREW M4x10 DIN 6921	4
VT423B	SLOTTED FLAT COUNTERSUNK HEAD M5x12 SS	4



TP12 – TP30

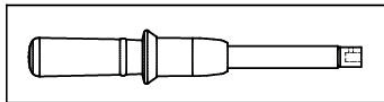
FILETEADORA DE PECHUGAS DE POLLO Y DE PAVO
HORIZONTAL TABLE TOP MEAT SLICER

RELEASE 2024-06-18

Sheet: 18 / 19

RECOMMENDED SPARE PARTS		
CODE	DESCRIPTION	Q.TY
G226	CODED SENSOR	1
G227	CODED MAGNET	1
M0117	START BUTTON	1
M0120	STOP BUTTON	1
TP242	INVERTER CARD 230V 30-70Hz	1
TP243	INVERTER CARD 115V 30-70Hz	1
TP321	UPPER TOOTHED BELT	1
TP322	LOWER TOOTHED BELT	1
TP397	BLADE 10x0.5x228	Min. 10
TP435	RIGHT GUIDE 3 BLADES 6mm	1
TP436	LEFT GUIDE 3 BLADES 6mm	1
TP437	PLATE OVER THE GUIDE	2
TP437A	SPACER FOR OVER THE GUIDE	2
TP440	RIGHT GUIDE 4 BLADES 5mm	1
TP441	LEFT GUIDE 4 BLADES 5mm	1
TP446MEX	RIGHT GUIDE TP30 2 BLADES 3 SLICES 6mm	1
TP447MEX	LEFT GUIDE TP30 2 BLADES 3 SLICES 6mm	1
TP539	RIGHT GUIDE 2 BLADES 8mm	1
TP540	LEFT GUIDE 2 BLADES 8mm	1

M0132



CHIAVE DINAMOMETRICA PER TENSIONAMENTO LAME - TORQUE WRENCH FOR BLADE TENSIONING

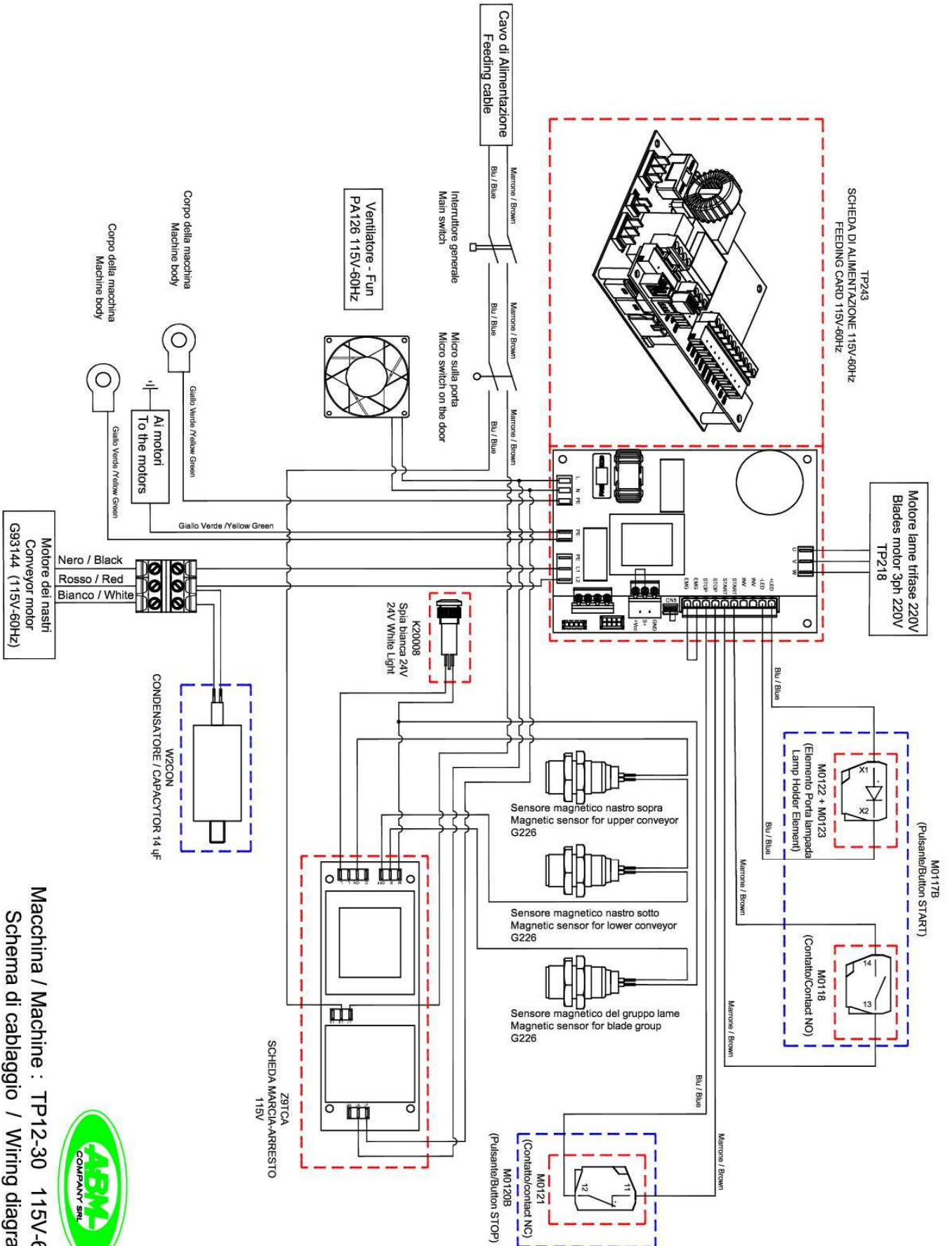


TP12 – TP30

FILETEADORA DE PECHUGAS DE POLLO Y DE PAVO HORIZONTAL TABLE TOP MEAT SLICER

RELEASE 2024-06-18

Sheet: 19 / 19



Macchina / Machine : TP12-30 115V-60Hz
Schema di cablaggio / Wiring diagram

